



Member of
**(WORLD
of TEST)**

WORLDofTEST.com

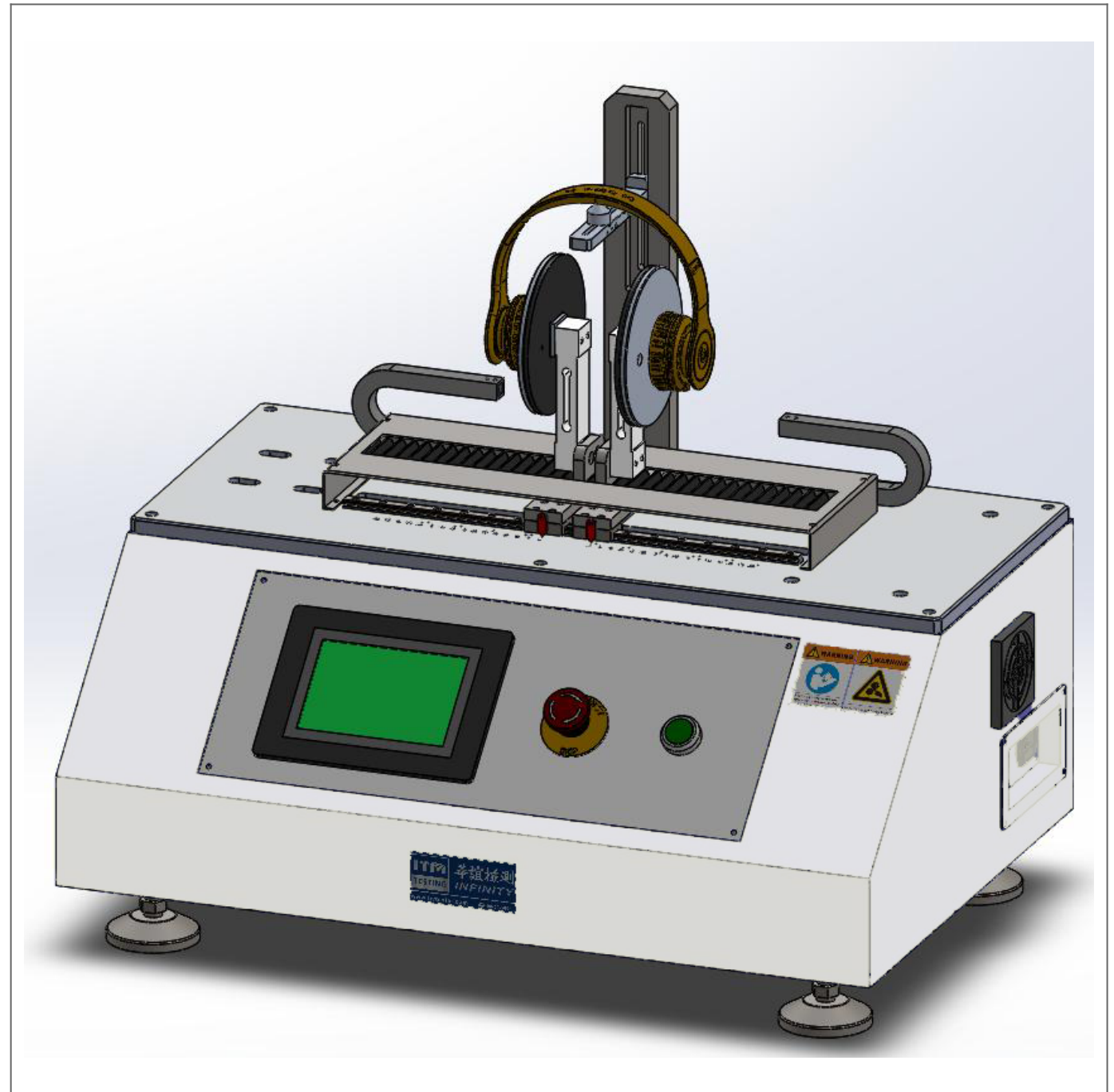
Headset Clamping Force Tester

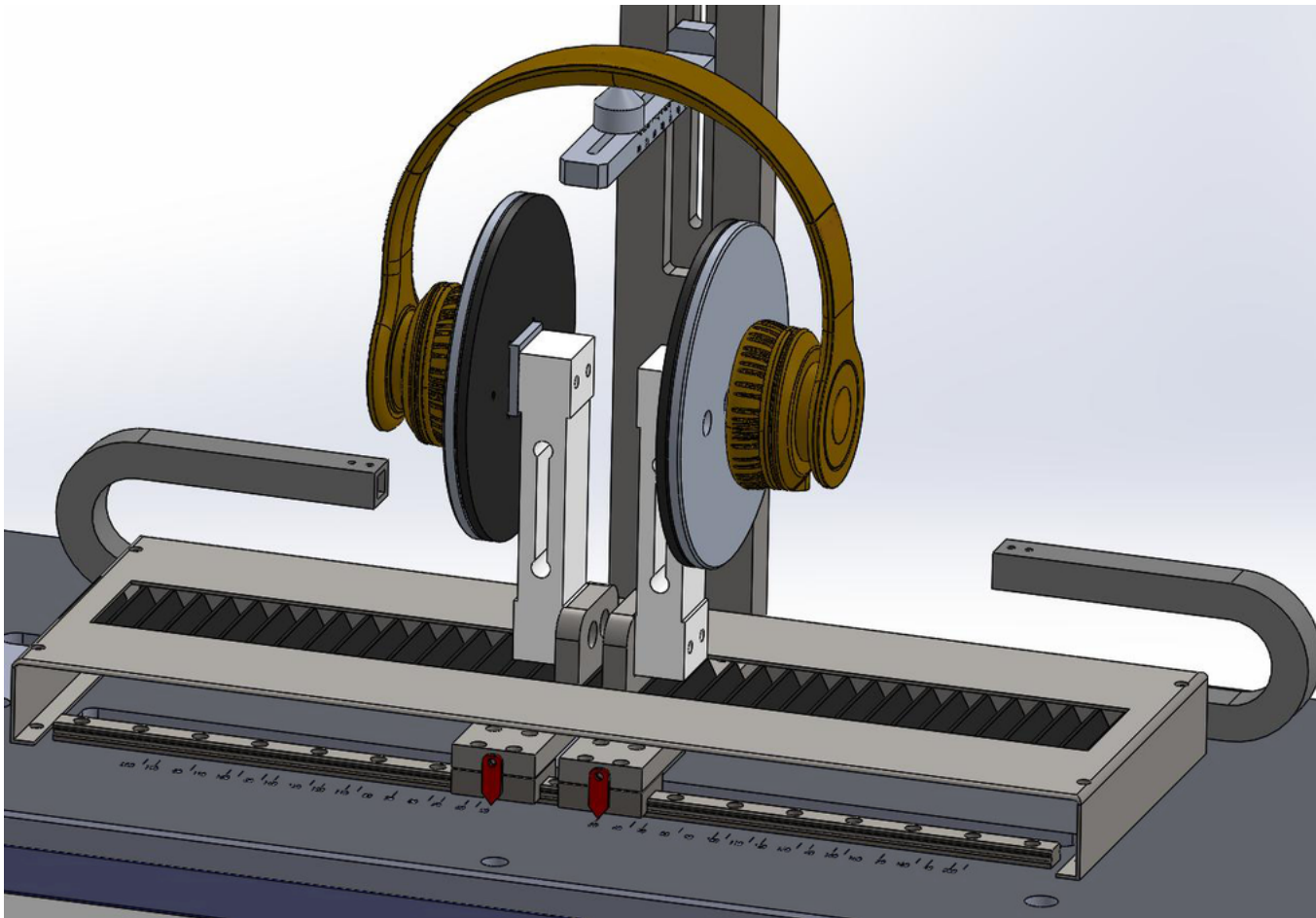
APPLICATIONS

Headset Clamping Force Tester

The Headset Clamping Force Tester perfect for headphone testing. This advanced machine accurately measures the clamping force of headphones, simultaneously testing both left and right ears. With customizable settings for expansion stroke, rate, and test frequency, it ensures precise results every time. Designed for accuracy, with a maximum test force value exceeding 200 Newtons, it's the ultimate headphone tester for quality assurance.

- Support point lifting mechanism on headset
- Support point on headset
- Left and right earpiece guides
- The left and right force sensors measure the
- clamping force of the left and right ears
- simultaneously
- Japan THK precision guide rail
- Touch screen





FEATURES

Headset Clamping Force Tester Features

This machine is ideal for testing the clamping (tightening) force of headphones. It can simultaneously test the clamping force of both the left and right ears. Here are the testing requirements:

- Both ears are measured simultaneously and separately.
- The expansion stroke of each ear ranges from 100 to 400 millimeters.
- You can set the expansion rate from 0 to 500 millimeters per minute.
- The number of tests can be set from 0 to 999999 times.
- The initial distance between the left and right ears is 100 millimeters.
- The force measurement accuracy is 0.01 Newtons.
- The maximum test force value is equal to or greater than 200 Newtons.

TECHNICAL SPECIFICATIONS

Headset Clamping Force Tester Technical Specifications

Test stations	1 pc
Maximum test clamping force	50N
Force resolution	0.01N
Initial stroke	100mm
Expansion stroke	100~300mm
Test speed	0~500mm/min
Number of tests	1~999999 times (can be set)
Machine size	W750 * D500 * H700mm
Machine weight	55kg

Data export	USB export
Power	AC220V 5A (110V available upon request)

Force resolution

Parts name	Quantity	Application
Touch screen controller	1pcs	For test parameter setting and monitoring
PLC	1pcs	For programming control
Analog module	1pcs	For force test
Force acquisition board	1pcs	For force test
Servo motor driver	1set	For left and right expansion mobile drive
Synchronous pulley	1pcs	For transmission
Precision linear guide	2pcs	For mobile orientation
Precision force sensor	2pcs	Clamp force test for left and right ears
Clamping force test fixture	2set	For the installation of headsets
Main machine	1set	



ADVANCED TESTING TECHNOLOGIES

USA | CANADA | UAE | GCC | EU | INDIA | APAC | AFRICA | LATIN AMERICA

Connect with us

Contact our **QualiTeam** today to find out how we can help your organization **select the most suitable testing solution** for your application, requirements, and budget.

Qualitest USA (Corporate Sales Office)

Toll-Free: 1.877.884.TEST (8378) | Fax: 954.697.8211
E-mail: info@qualitest-inc.com
Address: 8201 Peters Rd., #1000,
Plantation, FL 33324, USA.

Qualitest Canada & International

Tel: +1.905.944.9825 | Fax: +1.905.944.0304
E-mail: sales@qualitest-inc.com
Address: 70 East Beaver Creek Rd., #9, Richmond Hill,
Ontario L4B 3B2, Canada.

Qualitest Latin America (Mexico and LATAM Region)

E-mail: ventas@qualitest-inc.com

Qualitest KSA (Regional Office)

Tel: +966 11 500 6659
Address: Level 7, 3.09, District 3, King Abdullah
Financial District, Riyadh, Saudi Arabia

Qualitest Singapore (ASIA PACIFIC Regional Office)

Tel: +65 6393 5480 | E-mail: singapore@qualitest-inc.com
Address: 50 Raffles Place, Singapore Land Tower,
Level 46, Singapore, 048623.

Qualitest Indonesia (Representative Office)

Tel: +62 21 2985 9522 | Fax: +62 21 2985 9889
E-mail: indonesia@qualitest-inc.com
Address: One Pacific Place Level 11, Jl. Jend. Sudirman,
Kav. 52-53, SCBD Area, Jakarta 12190, Indonesia.

Qualitest FZE (Regional GCC/ME Office)

Tel: +971 4 8819252 | Fax: +971 4 8819262
Email: gcc@qualitest-inc.com
Address: Jafza One, BB 1610, Jebel Ali Free Zone,
PO Box 261440, Dubai, UAE.

Qualitest India

E-mail: india@qualitest-inc.com
Address: 15th Floor, Dev Corpora, Pokhran Road No.1,
Eastern Express Highway, Thane, Maharashtra,
Mumbai, 400601, India

